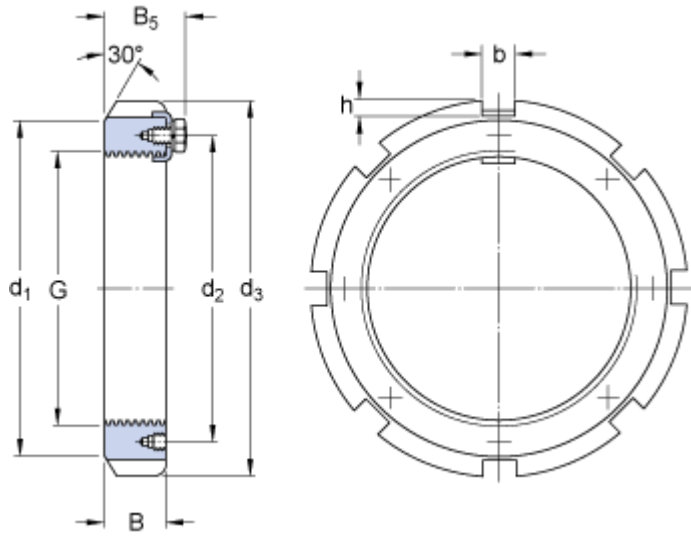


HM 3052

Dimensions



G	Tr 260x4	
d ₃	310	mm
B	34	mm
d ₁	290	mm
d ₂	273	mm
B ₅	46	mm
b	20	mm
h	10	mm

Mass

Mass lock nut	4.8	kg
---------------	-----	----

Mounting information

Appropriate spanner	TMFN 40-52
---------------------	------------

Appropriate products

Locking clip	MS 3052-48
--------------	------------